

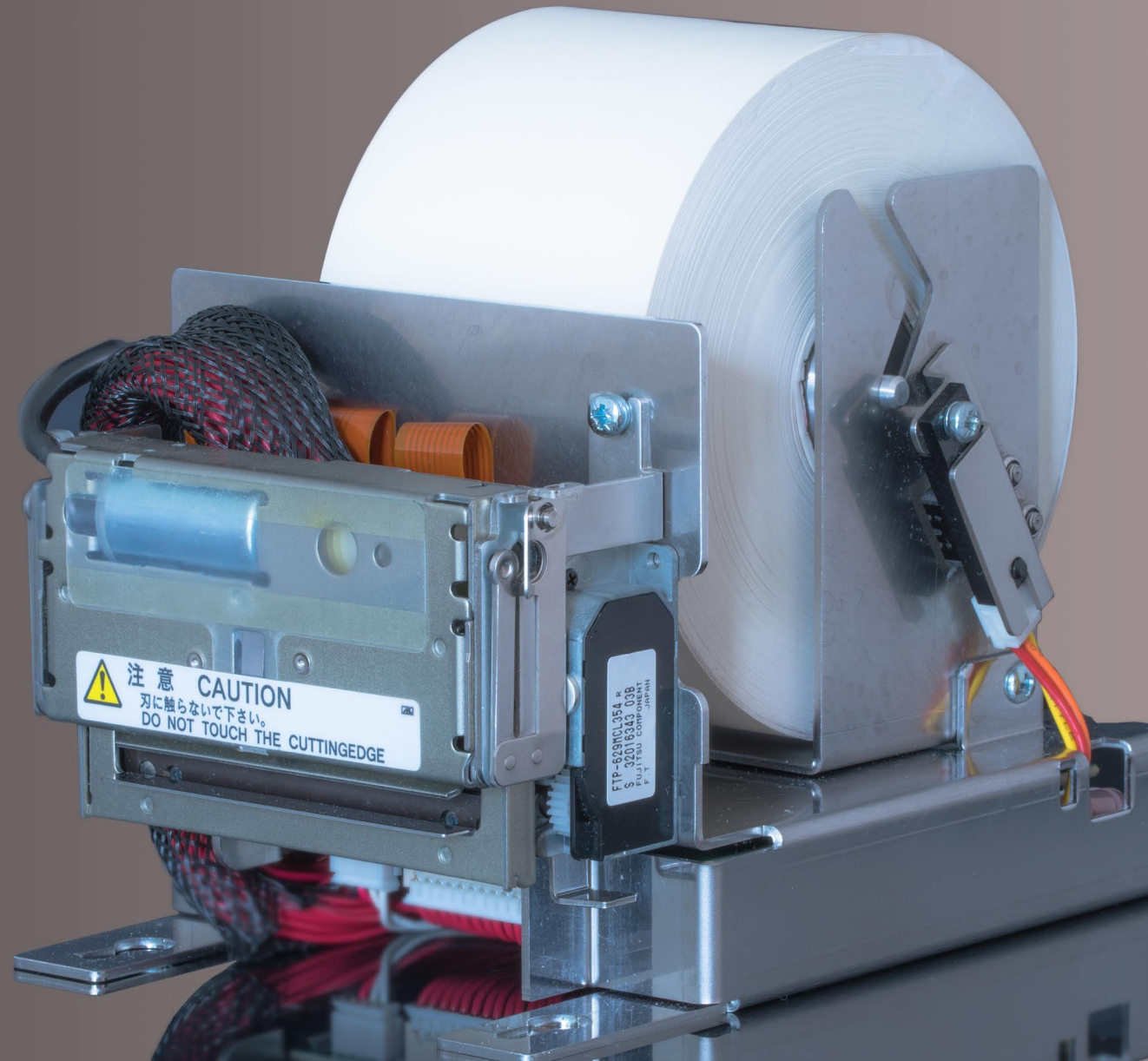
## DS-TP-629

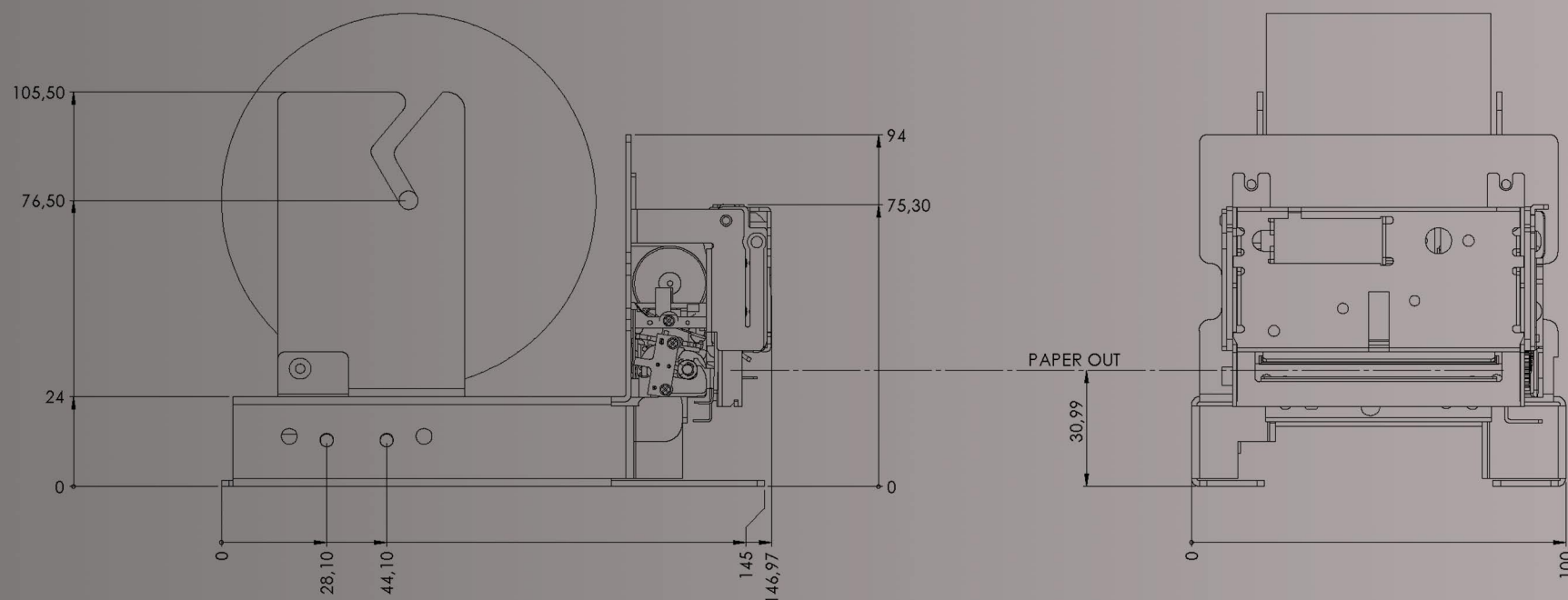
### Ruggedized Fine Mechanics

#### Compact Thermal Printer with Paper Cutter

- ◆ 10-15 Volt | 24 Volt operated
- ◆ 60.0mm Paper Width<sup>(1)</sup>
- ◆ Paper Cutter (full and partial cut)
- ◆ RS232 | USB

(1) 80.0 mm paper width on request  
Module can be adjusted to different paper roll size





### Thermal Printer

Resolution	8 dots/mm
Printing Speed	up to 180 mm/s
Life Time	150 km
Paper Thickness	up to 120 µm
Paper Width	60.0 mm to 80.0 mm
Paper Cutter	full cut / partial cut
Life Time	1 Mio cuts (full or partial)

### Controller

Host Interface	RS232   USB
Supply Voltage	10 - 15 VDC   24 VDC
Character Sets	ISO-8859-x
Character Size	16x24, 10x20, 12x20, 8x20
Barcodes	EAN 13/8, EAN 128, UPCA, UPCE, 2/5 Interleave 2/5 Industrial, 2/5 Matrix, 2/5 Datalogic Codabar, Code 39, Code 128